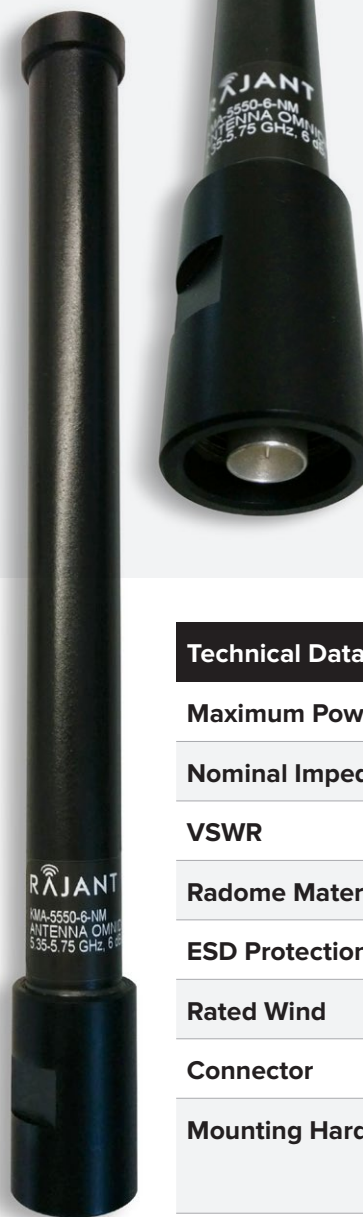


KMA-5550-6

5.35–5.75 GHz Omnidirectional Kinetic Mesh® Antenna

The 5.35–5.75 GHz omnidirectional Kinetic Mesh antenna consists of a linear array, encapsulated in a heavy duty fiberglass radome with a thick walled mounting base for reliable long term use. The rugged design allows the antenna to withstand harsh environments and is ideal for industrial and military wireless applications. The antenna is DC grounded for ESD protection of radio components.



07-100003-001/BAM1013 mount (above)

75-100139-055/KMA-5550-6-NM connector view (left)

KMA-5550-6 Benefits

- 6 dBi gain
- Type N (male or female) connector
- Fully sealed IP67 (6: Dust-tight, 7: Waterproof) design
- UV stable, black fiberglass radome 0.64" (16.3 mm) diameter
- Black chrome plated mounting base
- DC grounded design

Technical Data

Maximum Power	250 Watt
Nominal Impedance	50 Ohm
VSWR	< 1.5:1
Radome Material	Pultruded fiberglass
ESD Protection	DC grounded
Rated Wind	150 mph (241 km/h)
Connector	Type N (male or female)
Mounting Hardware	07-100003-001/BAM1013 included with the Type N male connector option

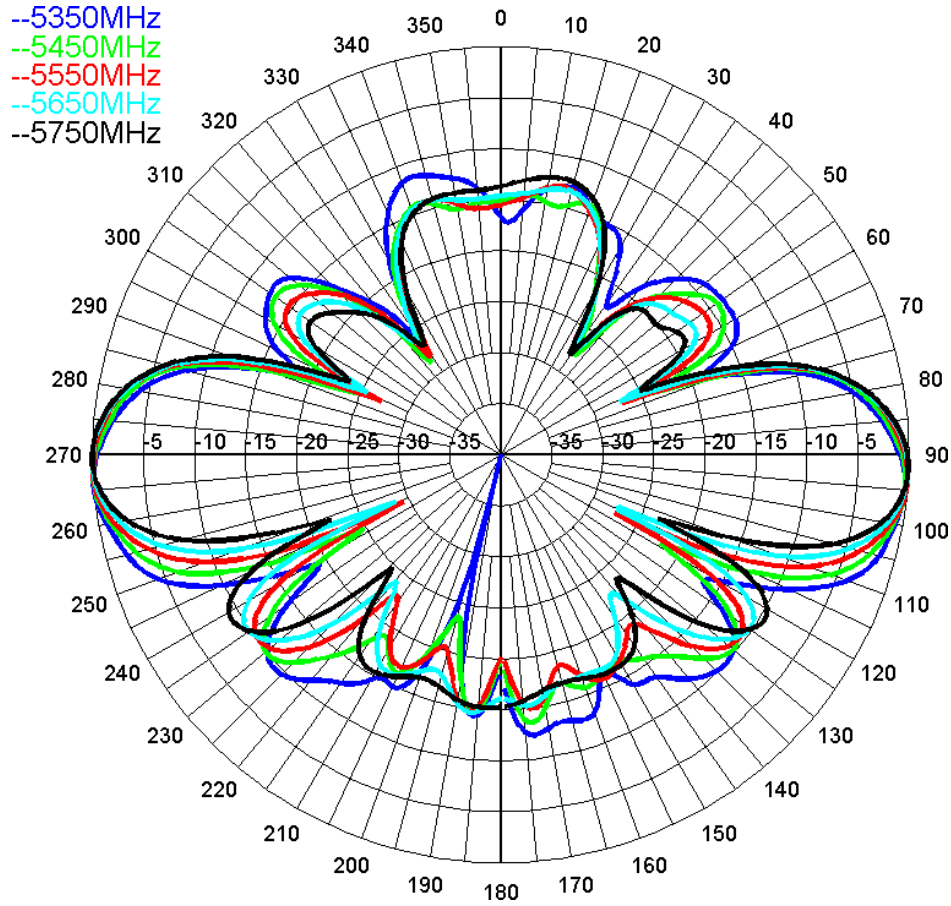
RF/Electrical Specifications

Rajant Part Number	Model	Frequency Range	Nominal Gain	Return Loss	E-Plane Beamwidth	Connector Type
75-100139-055	KMA-5550-6-NM	5.35–5.75 GHz	6 dBi	> 14 dB	22°	N male
75-100140-055	KMA-5550-6-NF	5.35–5.75 GHz	6 dBi	> 14 dB	22°	N female

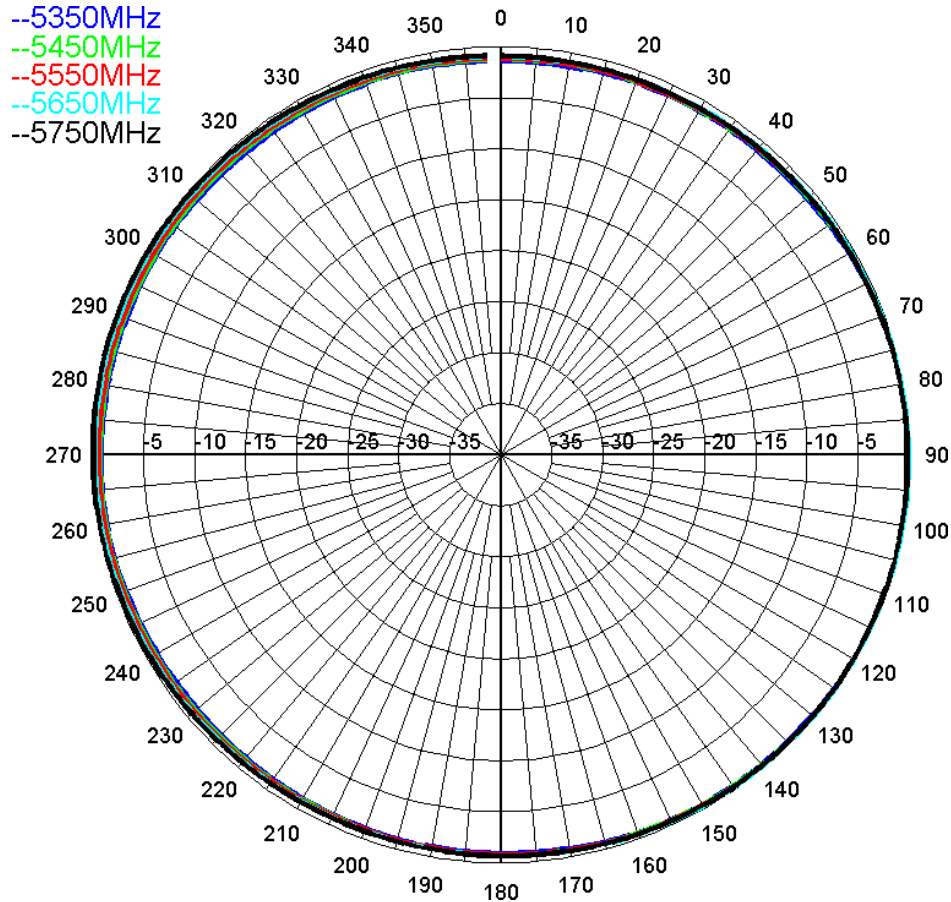
Mechanical Specifications

Rajant Part Number	Model	Weight	Height	Rated Wind Load	Bending Moment at Rated Wind	Equivalent Flat Plate Area
75-100139-055	KMA-5550-6-NM	3.5 oz (99 g)	7.93" (20.1 cm)	2.65 lbf (11.8 N)	0.73 ft*lbf (0.99 Nm)	0.023 ft ² (21.4 cm ²)
75-100140-055	KMA-5550-6-NF	3.2 oz (91 g)	8.13" (20.7 cm)	2.71 lbf (12.1 N)	0.77 ft*lbf (1.04 Nm)	0.024 ft ² (22.3 cm ²)

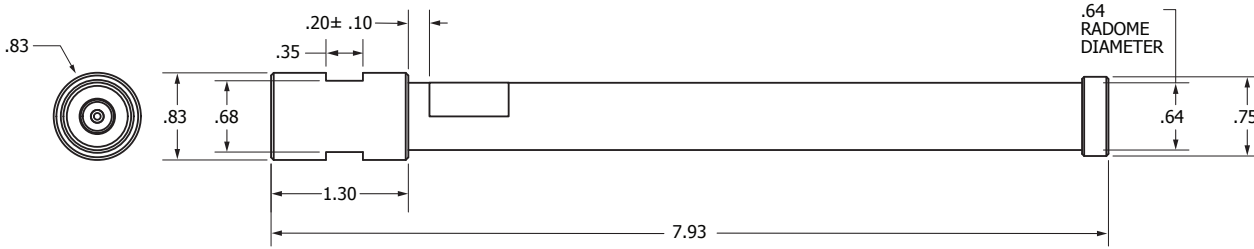
E-Plane
Radiation
Pattern



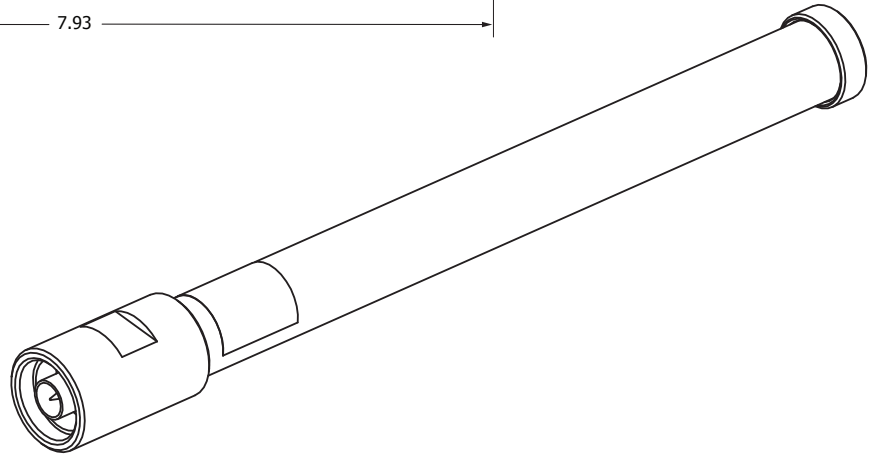
H-Plane
Radiation
Pattern



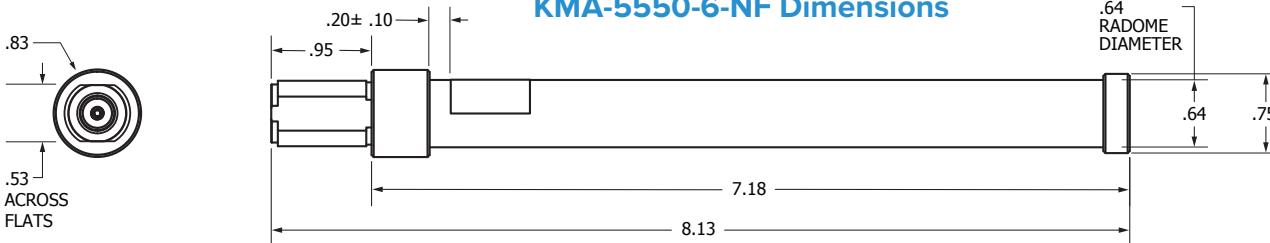
KMA-5550-6-NM Dimensions



Unless otherwise specified dimensions are in inches.
1 inch = 2.54 cm



KMA-5550-6-NF Dimensions



Unless otherwise specified dimensions are in inches.
1 inch = 2.54 cm

